

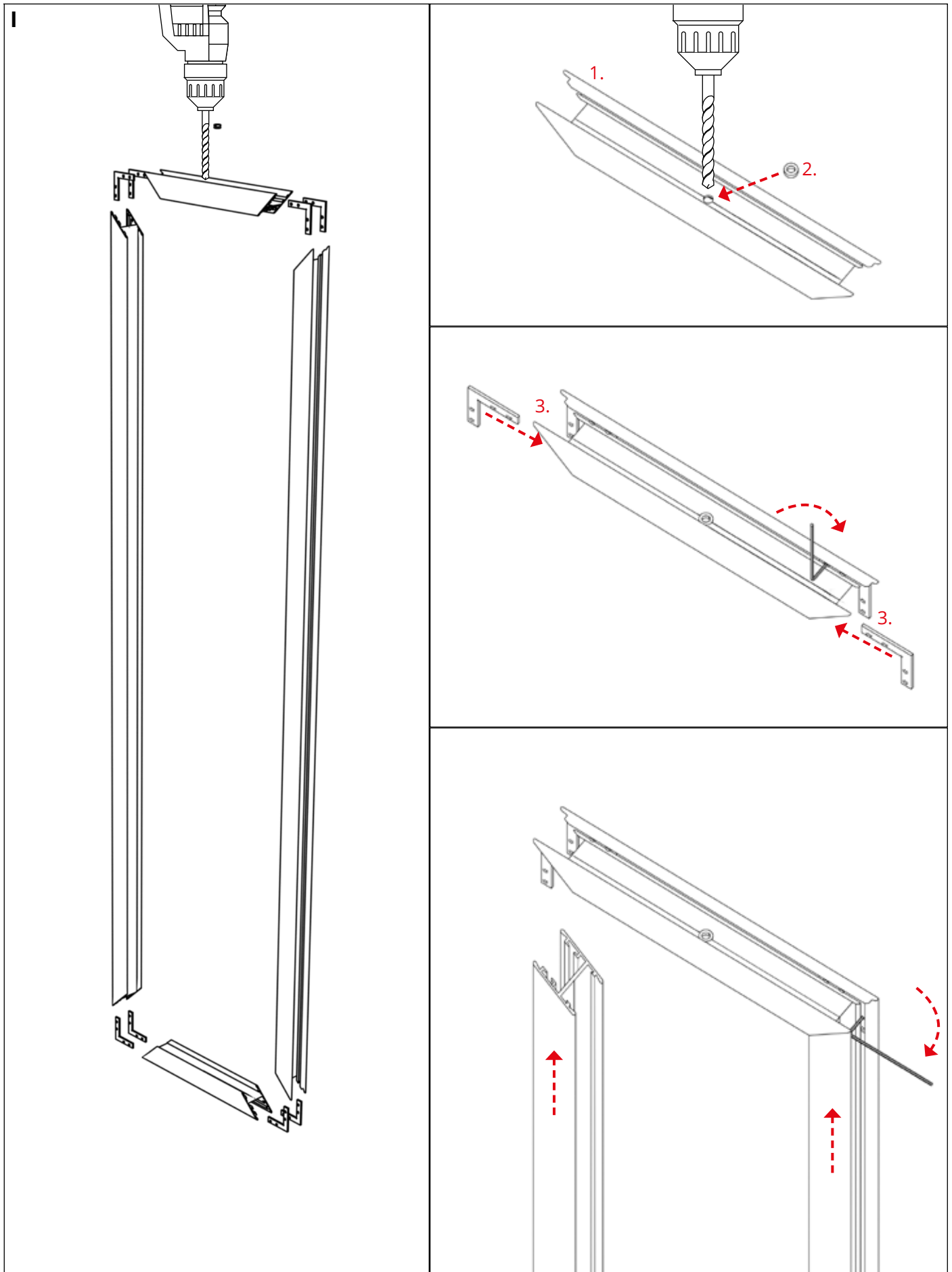
- |                            |                     |
|----------------------------|---------------------|
| 1. GLAZA-DUO profile       | 5.7 Spare conductor |
| 2. Gland                   | 6. Cover            |
| 3. Connector               | 7. Wire             |
| 4. LED tape                | 8. Ceiling fastener |
| 5. OS22-DUO-LIN-Z fastener |                     |
| 5.1 Blockade               |                     |
| 5.2 Threaded hook          |                     |
| 5.3 Conductor              |                     |
| 5.4 Base                   |                     |
| 5.5 Head                   |                     |
| 5.6 Pressure screw         |                     |

**NOTE!** The lifting capacity of a single fastener is 5 kg. Designing multi-level lighting installations should take into account the weight of individual fixtures and choose the number of fasteners accordingly.

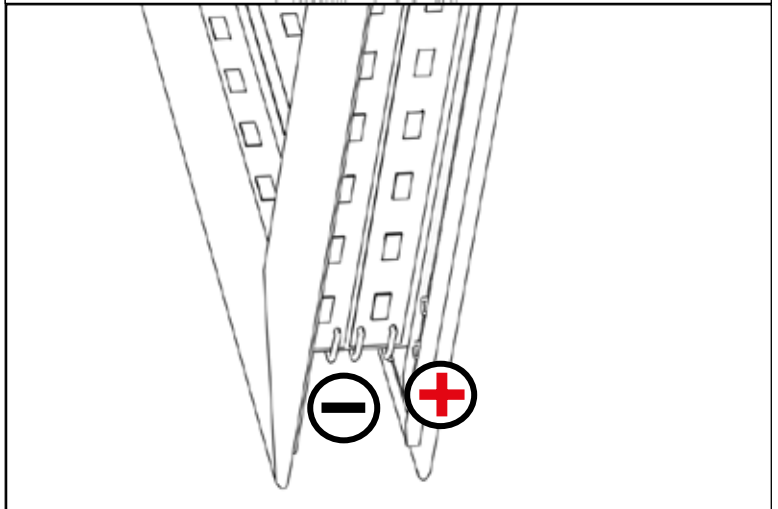
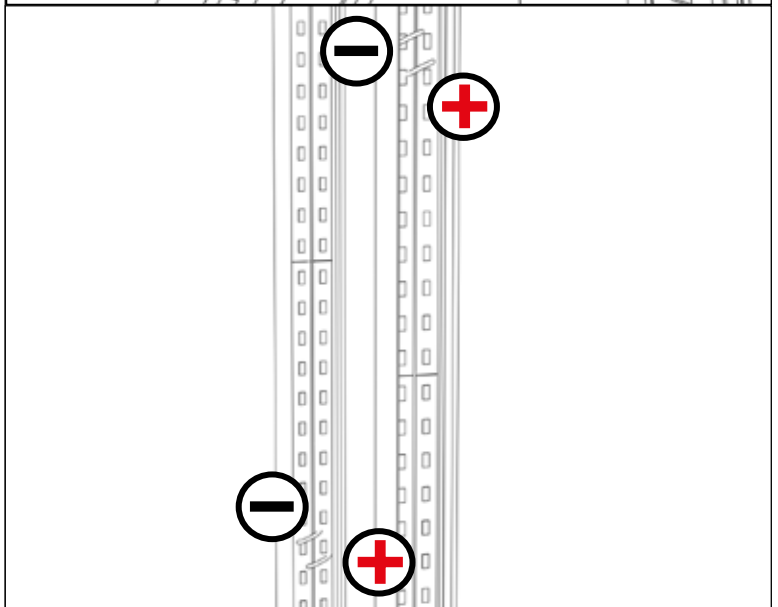
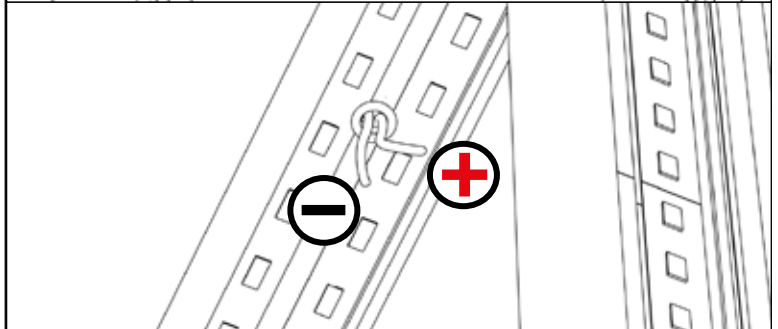
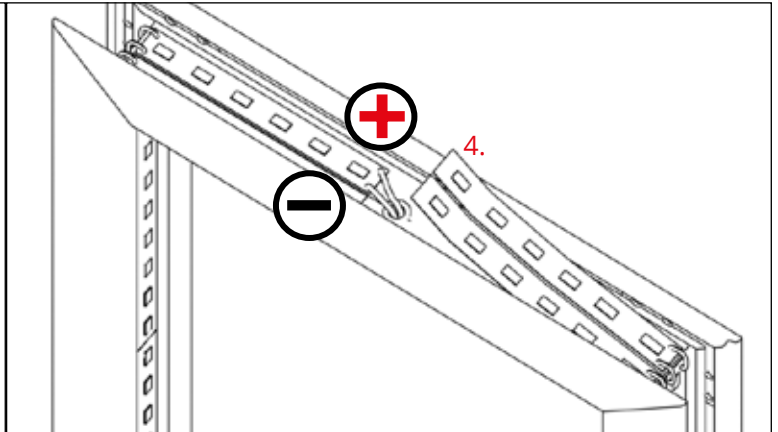
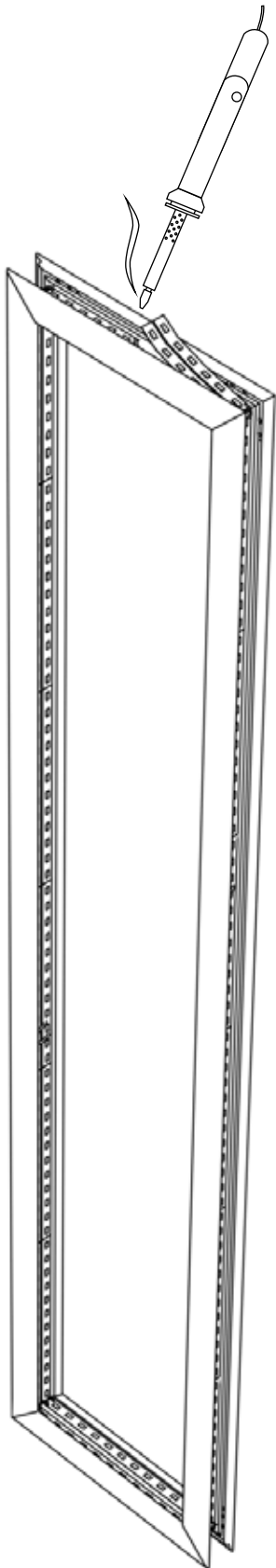


**NOTE!** All LED tapes must be connected to a 12 V or 24 V power supply.

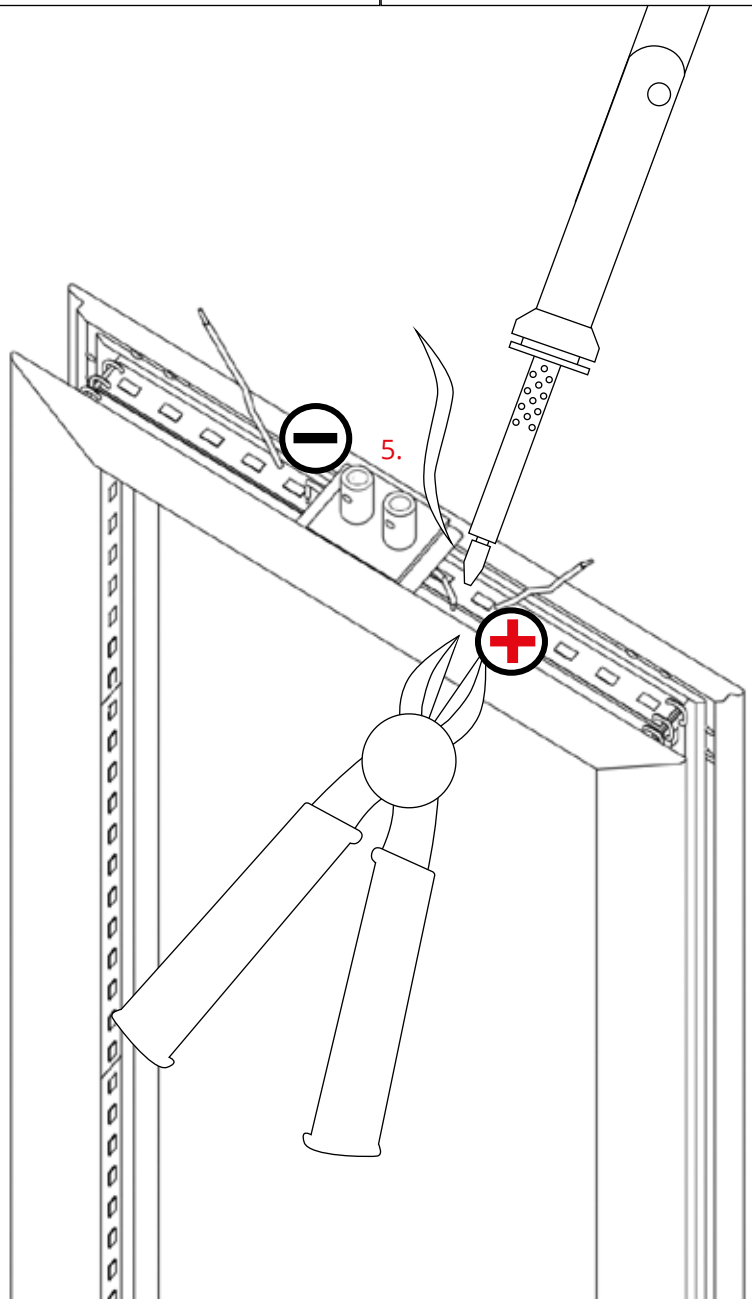
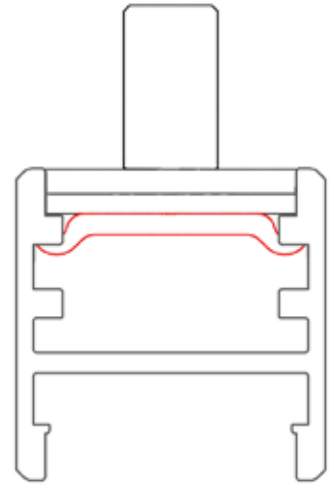
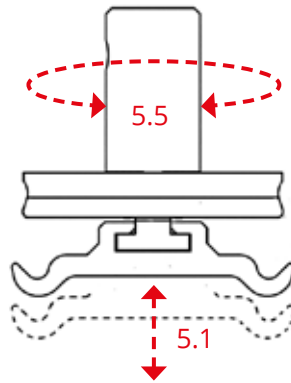
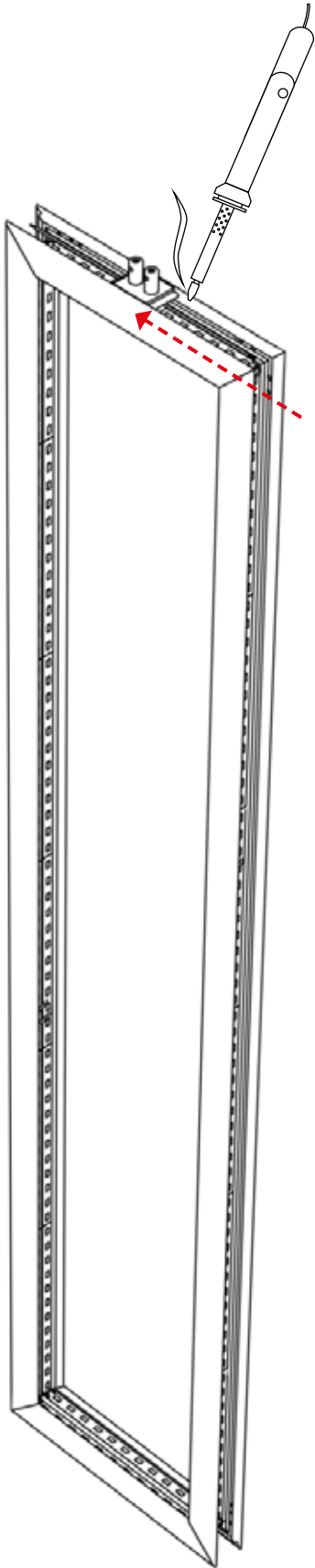
**IMPORTANT:** Not all possible mounting procedures are presented here. More mounting procedures and related accessories can be found at [www.KlusDesign.eu](http://www.KlusDesign.eu). Drawings in these instructions are simplified and only approximate the actual shapes.



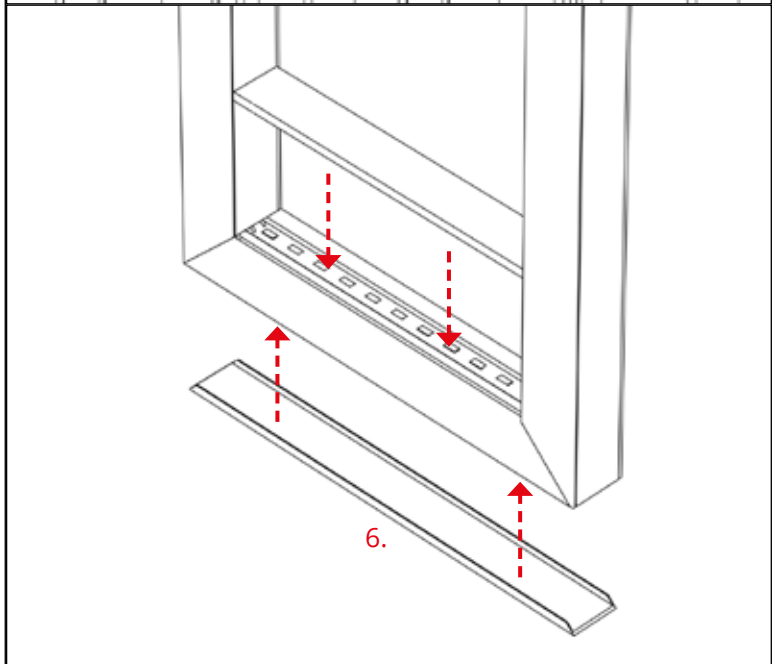
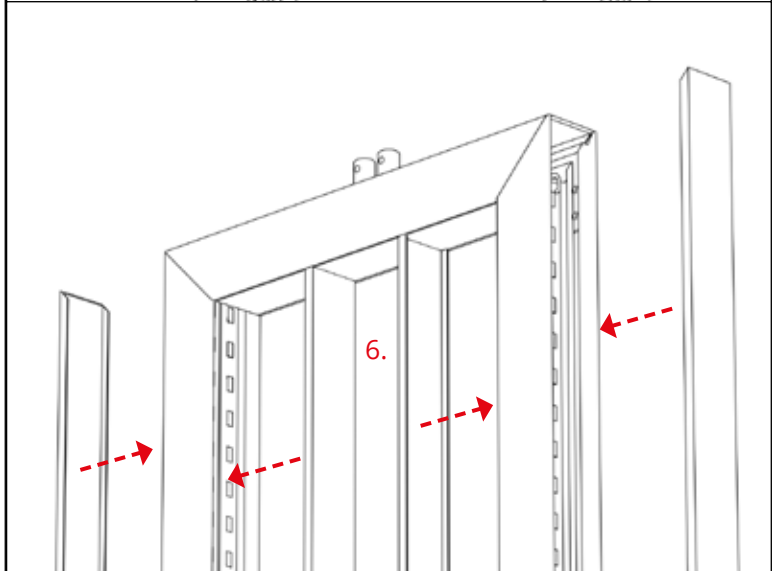
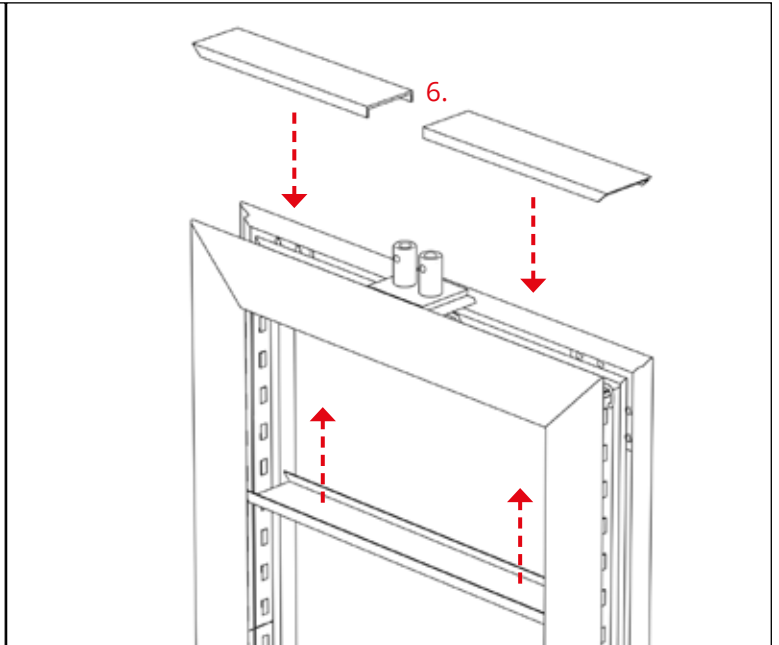
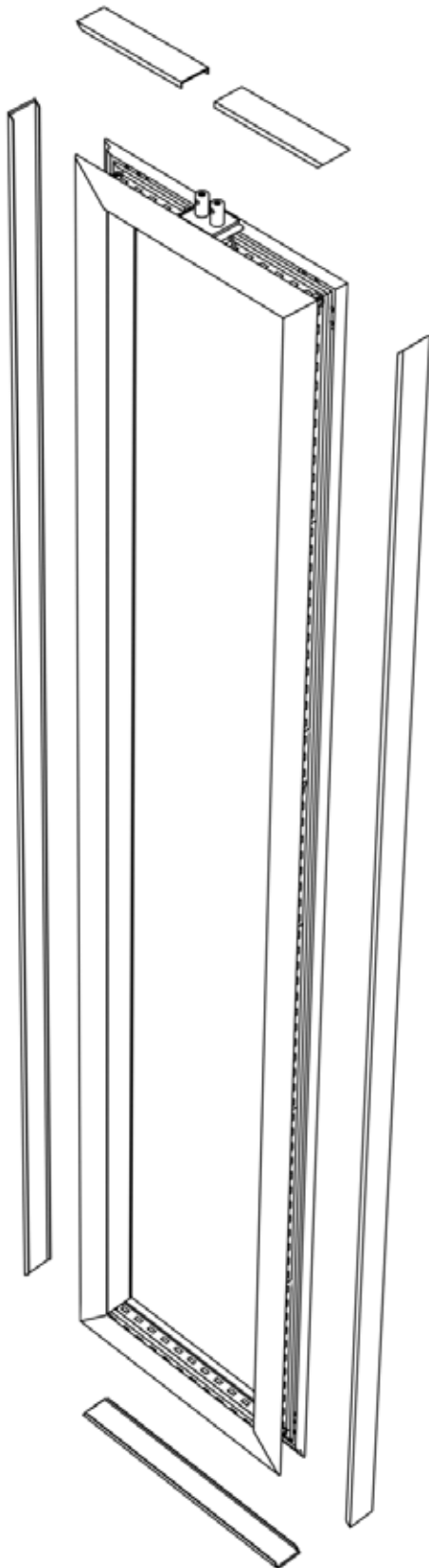
II



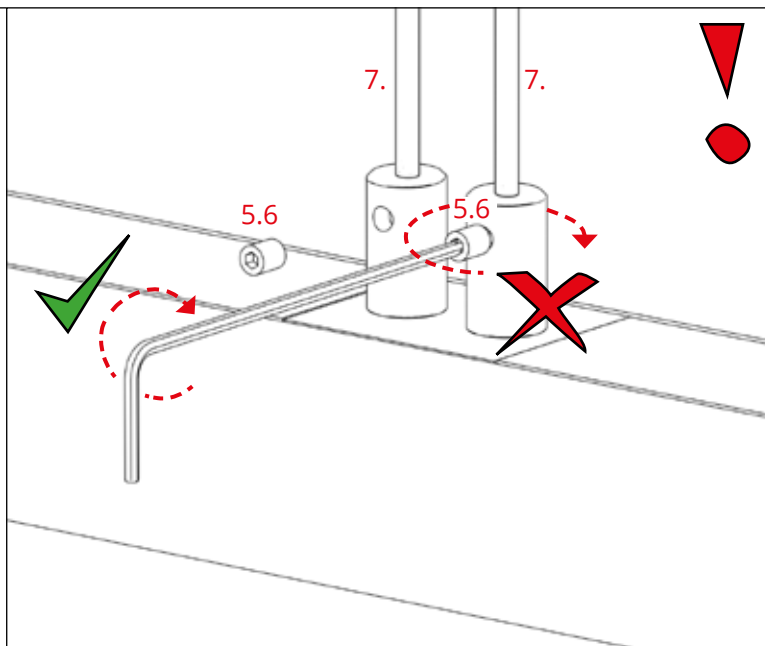
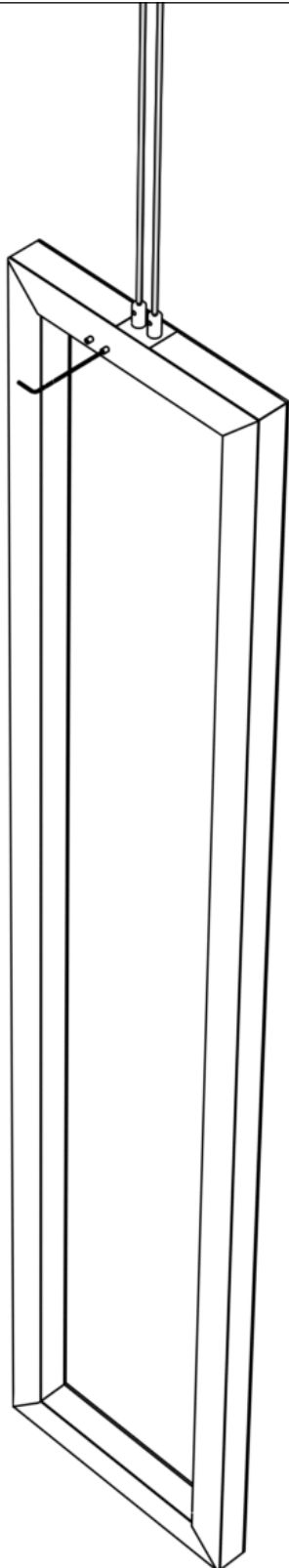
III



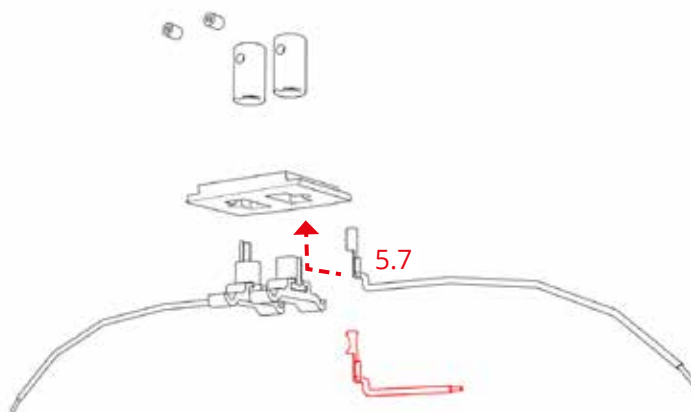
IV



V

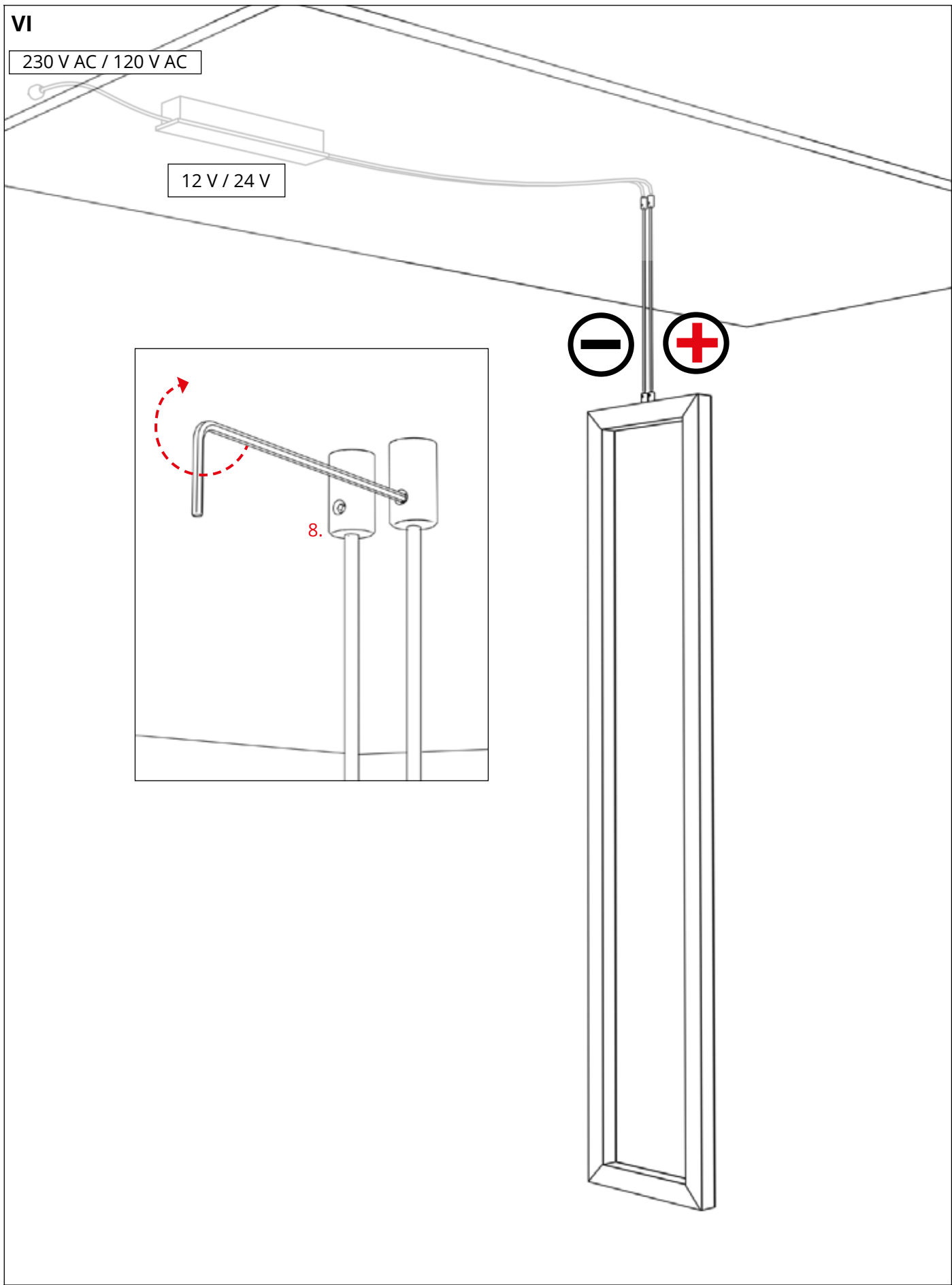


After tightening the fastener's pressure screw, do not tighten or unscrew its head! This will damage the connector.



In case of damaged fastener's connector, unfold it for parts and replace damaged item.

Each fastener comes with a spare connector, included in set.



**OPTIONAL: PROPOSAL OF SUSPENDED FIXTURES CONFIGURATION.**

