

SNP12-VF-1

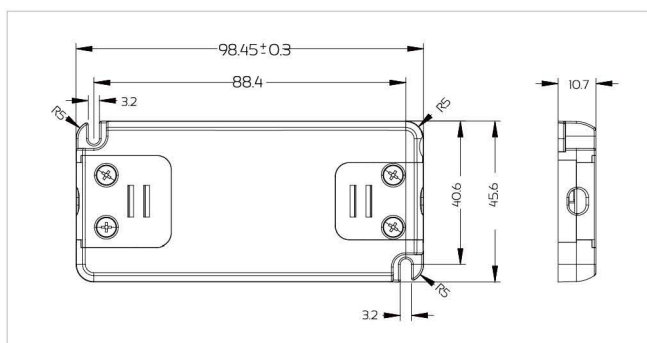


Reliable Technical Data

- Rated Input Voltage:200-240VAC
 - Input Frequency:50/60Hz
 - Output Power:12W
 - Body: PC
 - Open Circuit; Short Circuit; Over Load;
 - Over Heat Protection
- Safety According to EN61347-1, EN61347-2-13
 - EMI According to EN55015
 - EMS According to EN61000-3-2; EN61000-3-3; EN61547
 - EMF According to EN62493-2010
 - ERP According to EN1194-2012



Dimension in mm



Characteristics

Rated input voltage: AC200-240V 50/60Hz [power factor measured at AC230V and full load]

Model No.	Constant output voltage	Load	Max output current	PF	Ta	Tc	L x W x H
SNP12-12VF-1	12V	0-12W	1.0A	≥0.5	45°C	85°C	98.4x45.6x10.7
SNP12-24VF-1	24V	0-12W	0.5A	≥0.5	45°C	85°C	98.4x45.6x10.7

